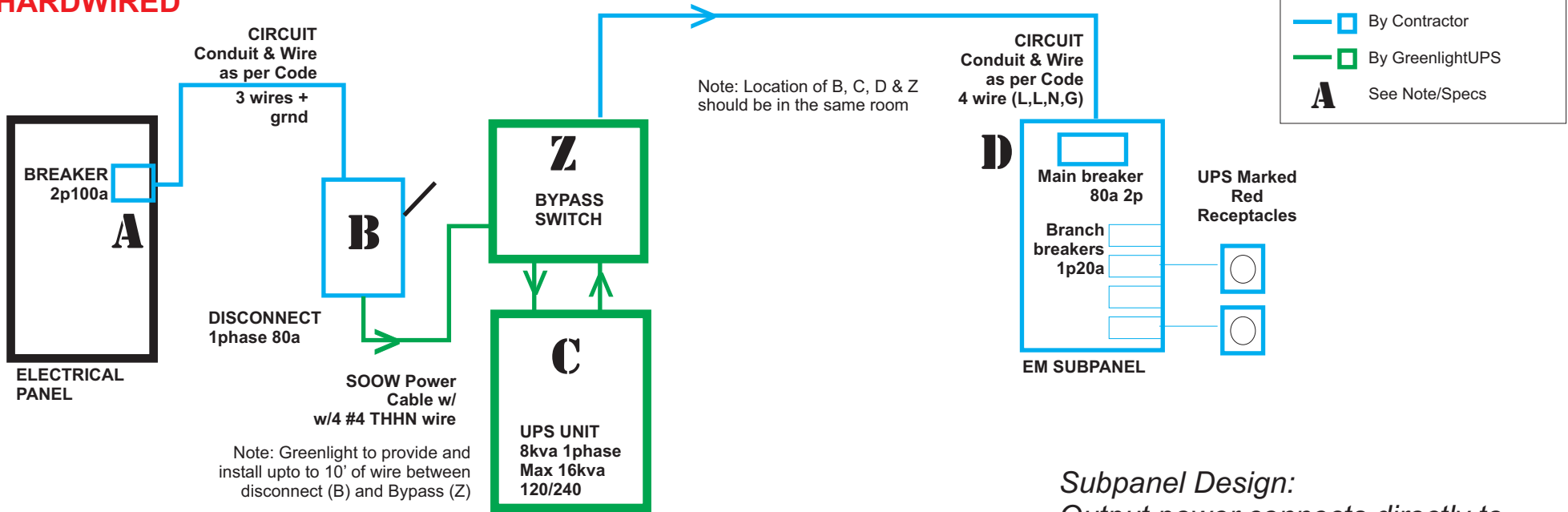


Symmetra LX with Subpanel

HARDWIRED



Optional:
Physical Bypass allows for maintenance and Emergency bypass

The LX has an internal bypass as well

LX system allows for 4 batteries and 5 power modules for 16kva N+1



4 wire 120/240 input and output connections from power tray

*Subpanel Design:
Output power connects directly to a subpanel. From the subpanel, internally wired circuits power local wall outlets. From these wall outlets, local PDUs can be connected.*

Ideal for: Existing installations

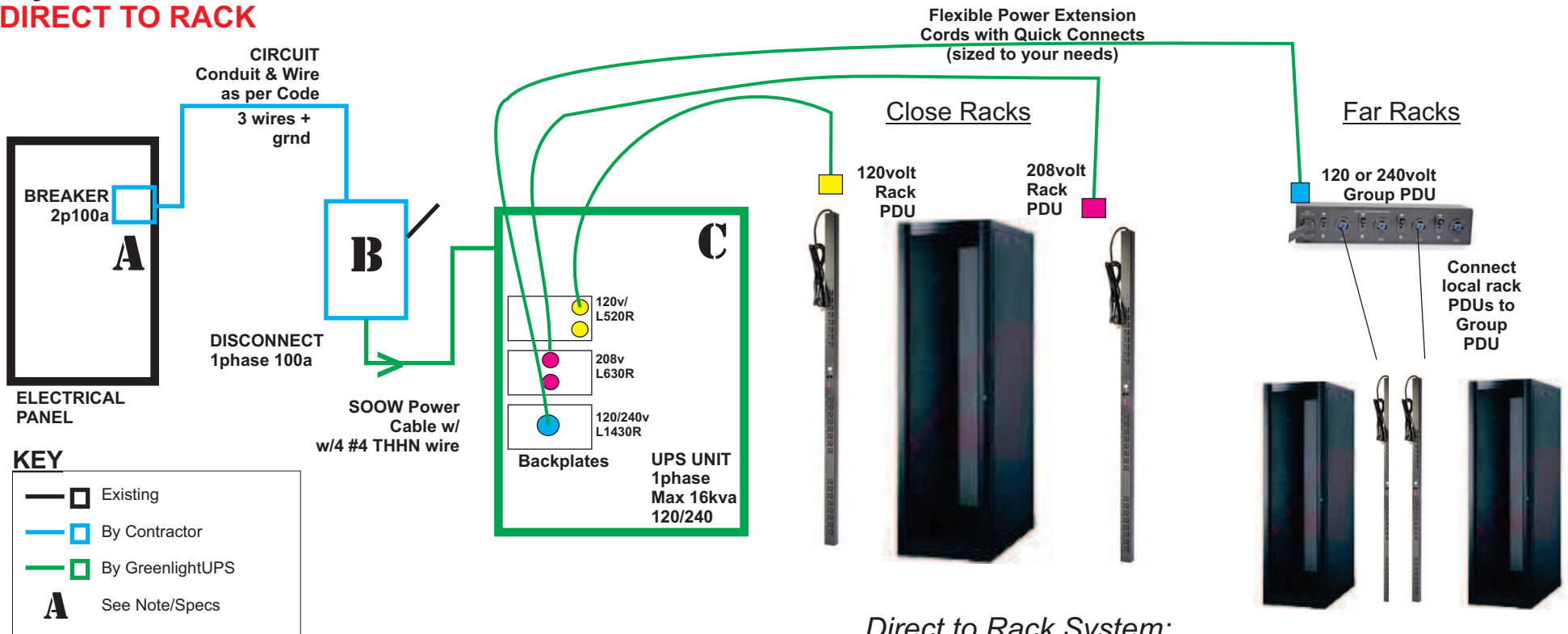


Symmetra LX

Prepared By
Bob Durham of GreenlightUPS
954-580-4070
www.GreenlightUPS.com - Pompano, FL 33064
A Division of Wesworth Electric, Inc Ec13002061

Symmetra LX with Racks

DIRECT TO RACK



Direct to Rack System:

Output power cables connect from the Symmetra's rear to PDUs.

If they are close, you can directly connect them to the Symmetra.

If they are farther away, a group PDU brings several PDU receptacles to a group of racks for local PDUs to connect to.

Ideal for: New installations and those likely to be upgraded. Since power cords can be easily moved, changes are easier than having internally wired systems



LX system allows for 4 batteries and 5 power modules for 16kva N+1



Symmetra LX

Prepared By
Bob Durham of GreenlightUPS
954-580-4070
www.GreenlightUPS.com - Pompano, FL 33064
A Division of Wesworth Electric, Inc Ec13002061